

Tomex

Paper technology from Finland

Tomex represents leading paper@pulp machinery and equipment suppliers into the SE Asian market.

Tomex works closely with the customer in solving runnability and production problems and boosting their production and profit.

Tomex operates locally to secure service and after sales.

Products

FR VALVE

FRP fiber glass ball valves

ROLLRESEARCH

3D And 4-point roll grinding systems.
roll grinder retrofits.

SIIRTORUUVI

screw conveyors
screw pumps

FLUIDHOUSE

Hydraulic systems

Tomex Consulting

phone: +358-50-356 0843

email: tomex@multi.fi

internet: www.tomex.fi

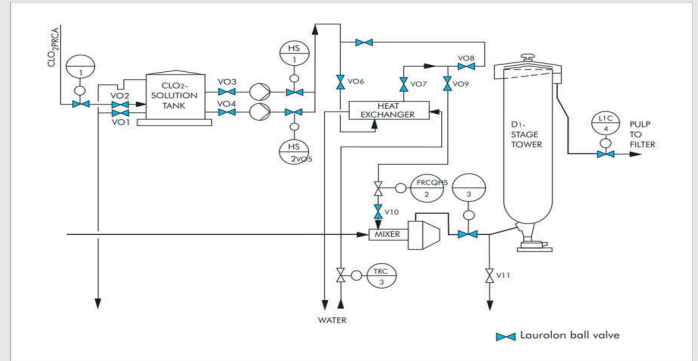




FR Valve

FRP fiber glass ball valves

- excellent corrosion resistance against hazardous chemicals
- light weight
- easy to maintain and reuse
- size 80 - 1000



More info:
www.frvalve.fi



RollResearch International

3D™ Roll Grinding Technology

- 4-point measurement
- reduced vibrations(baning) => increased runnability
- improved roundness
- complete retrofitting of roll grinders

More info:
www.rollresearch.fi





Siirtoruuvi

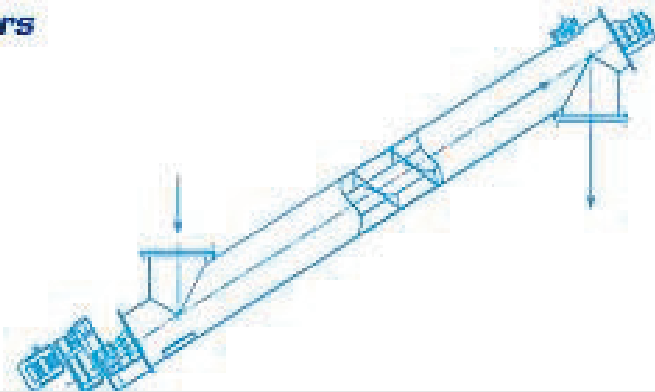
Conveying of movable materials

- screw pumps, conveyors
- diam. 60 - 1500 mm
- dust free
- costeffective and energy efficient

More info:

www.siirtoruuvi.com

Screw Conveyors
Ø 60 - 1500



FluidHouse

- tailored hydraulic automation systems
- modular fluid power systems
- test benches for hydraulic
- turnkey deliveries



More info:

www.fluidhouse.fi